



Remote control Servo H / Valve H

*Pneumatic proportional remote control
valve series*

Catalogue PDE 2513TCUK-ab





WARNING

FAILURE OR IMPROPER SELECTION OR IMPROPER USE OF THE PRODUCTS AND/OR SYSTEMS DESCRIBED HEREIN OR RELATED ITEMS CAN CAUSE DEATH, PERSONAL INJURY AND PROPERTY DAMAGE.

This document and other information from Parker Hannifin Corporation, its subsidiaries and authorized distributors provide product and/or system options for further investigation by users having technical expertise. It is important that you analyze all aspects of your application and review the information concerning the product or system in the current product catalog. Due to the variety of operating conditions and applications for these products or systems, the user, through its own analysis and testing, is solely responsible for making the final selection of the products and systems and assuring that all performance, safety and warning requirements of the application are met. The products described herein, including without limitation, product features, specifications, designs, availability and pricing, are subject to change by Parker Hannifin Corporation and its subsidiaries at any time without notice.

SALE CONDITIONS

The items described in this document are available for sale by Parker Hannifin Corporation, its subsidiaries or its authorized distributors. Any sale contract entered into by Parker will be governed by the provisions stated in Parker's standard terms and conditions of sale (copy available upon request).

Parker solutions for the Truck and Trailer Industry



Parker's many years of experience in designing pneumatic products and systems for the truck and trailer industry has produced a depth of "industry specific" knowledge unrivalled in the market place, with a wealth of products, both standard and custom built ideally suited to a wide range of applications.

Throughout Europe Parker has a team of Application Engineers and Design and System Engineers who work closely with customers to understand their requirements and to ensure the optimum engineering solution is provided.

Parker is certified of the Quality System SS-EN ISO9000:2000, ISO14000. Parker's key road transport products are proven in the Industry main conform to ISO TS 16949, DOT fmvss106, DIN 74324 NFR-12632

The principal application areas that Parker have experience in include:

- PTO control systems
- Lower/raiser applications
- Axle lift systems
- Cargo door opening systems
- Gear shift applications
- Refuse truck applications
- Fire truck applications
- Heavy duty products
- Container handling systems
- Fuel systems
- Seat adjustments



Pneumatic Remote Control

The Servo H/Valve H series is a pneumatic proportional pilot pressure reducing valve, especially designed to control position cylinders built into hydraulic proportional remote control systems.

Servo H/Valve H valve series is designed for both, mobile and industrial applications, like hookloaders, skiploaders, frontloaders, small cranes control, forklift trucks, proportional speed control in both directions of airmotors, in short anywhere a pneumatic proportional movement is needed.

The program consists of a range of double acting proportional pressure reducing valves, with or without a pneumatic push button or electric switch integrated into the lever of the Servo valve. Pneumatic push button controlled 3/2-way valves, electric lamp modules and electric switch units can be easily combined with proportional Servo H series. Detection of movements or end positions can be shown easily by using an electric indicator module. The modular design of Servo H series, allows the combination of multiple functions into one compact design.

By using proven sealing techniques, manufacturing methods and the experience of former Servo series, makes the Servo-H/Valve H products a reliable series with an high life expectation.

Catalogue Layout

This catalogue has been designed to give a brief overview of the Servo H/Valve H valve series. This catalogue should give you the opportunity to make a choice from the different servo and valve functions available, so that Parker can provide the best solution in accordance with your wishes for the application.

General information, design functions and ordering-keys are given first for Servo H modules, followed by general information design and function and ordering keys for Valve H modules. Information about available accessories technical data, dimension drawings complete assembled units and repair kits are at the back of the catalogue.

How to order

If specifying a Servo H or Valve H module combined with accessories, to suit a specific application, use the ordering codes for Servo H, Valve H or accessories. Below the ordering code charts are the most popular standard order codes.

Parker can pre-assembled a complete unit of Servo H. This gives you the benefit of receiving a pre-assembled module, which has been factory tested by Parker for function. By this you will save assembling time and costs.



Contents	Page
General	
• Parker transport	1
• Pneumatic remote control	2
• Lay-out	2
• How to order	2
Servo H	
• General	4
• Design and function Servo H	4
• Ordering key	5
Valve H	
• General	6
• Design and function valve H	6
• Ordering key	7
Accessories	
• Connection flange set	8
• Electric indicator unit	8
• Control cylinder for hydraulic control block	8
• Roller valve DSA/VA	8
• Pictogram	8
Technical data	9
Dimensions	10
• Complete assembled units	11
• Spare parts	11



General Servo H

Servo H series consists of a complete range of hand operated, pneumatic proportional valves, intended for remote control.

Servo H series are designed for many different applications, both mobile and industrial. Servo H series can be applied to control directional hydraulic spool valves and servo cylinders for hook arms systems, front and end loaders, mobile cranes and portal systems.

Other applications are speed control of air motor, assembling, sawing and cutting systems.

Design and function Servo H

The modular valve series Servo H can be easily combined with push buttons actuated Valve H series, and electric indicator modules. Each module can be assembled in random order for the best possible solution for the application and optimum ergonomics for operator. A connection flange for central air supply and central exhaust function makes the configuration very compact.

Robust design and choice of materials, sealing and production technique's makes Valve H series a reliable product. Servo modules are constructed from sections of two pressure reducing valves, with linear characteristics for proportional control.

Single Servo H series are available with lever in-line or lever 90° rotated. Depending on the application, the lever can be equipped with pneumatic or electric switch for "high flow" function. Double integrated servo modules are always 90° rotated and can be equipped with of without electric switch.

A stand-alone module can be chosen where space is at a premium. Stand-alone modules can not combined with other modules.

Pneumatic and electric connections for outlet signals are located on bottom side of the modules. Modules will be standard delivered with push-in connectors Ø 4 mm for pneumatic signals. Electrical connections can be made via an electrical connection block.

Symbols for movements, servo function and on/off functions can be shown by using pictograms. Pictogram can be assembled into the knob of the servo or front of a module.

All components can be assembled in random order. Each module will be delivered with special connection screws. This gives you the freedom of assembling the unit as required. All modules are supplied with o-rings for a reliable leak free seal between modules.

Parker can deliver complete assembled units or single modules. This provides the best possible flexible delivery options for you. Ask your local Parker Sales offices for best possible solution.



lever in line

Servo H1

Pneumatic proportional valve.
Available handle actuations:
- lever in line
- lever 90° rotated



lever 90° rotated

Servo H2

Pneumatic proportional valve, with pneumatic push-button integrated into the lever, for extra pneumatic signal. Available handle actuations:
- lever 90° rotated



stand alone

Servo H3

Pneumatic proportional valve, Stand-alone module, available in different version, normal actuation (H1), with electric switch integrated in lever (H5) and with mechanical lock (H4).



lever 90° rotated

Servo H4

Pneumatic proportional valve, with mechanical lock.
Available handle actuations:
- lever in line
- lever 90° rotated



lever in line

Servo H5

Pneumatic proportional valve, with electrical switch integrated into the lever, for extra electric signal. Available handle actuations:
- lever in line
- lever 90° rotated



lever in line

Servo H6

Pneumatic proportional valve, with 3 position electric switch integrated in to lever. Available handle actuations:
- lever in line
- lever 90° rotated

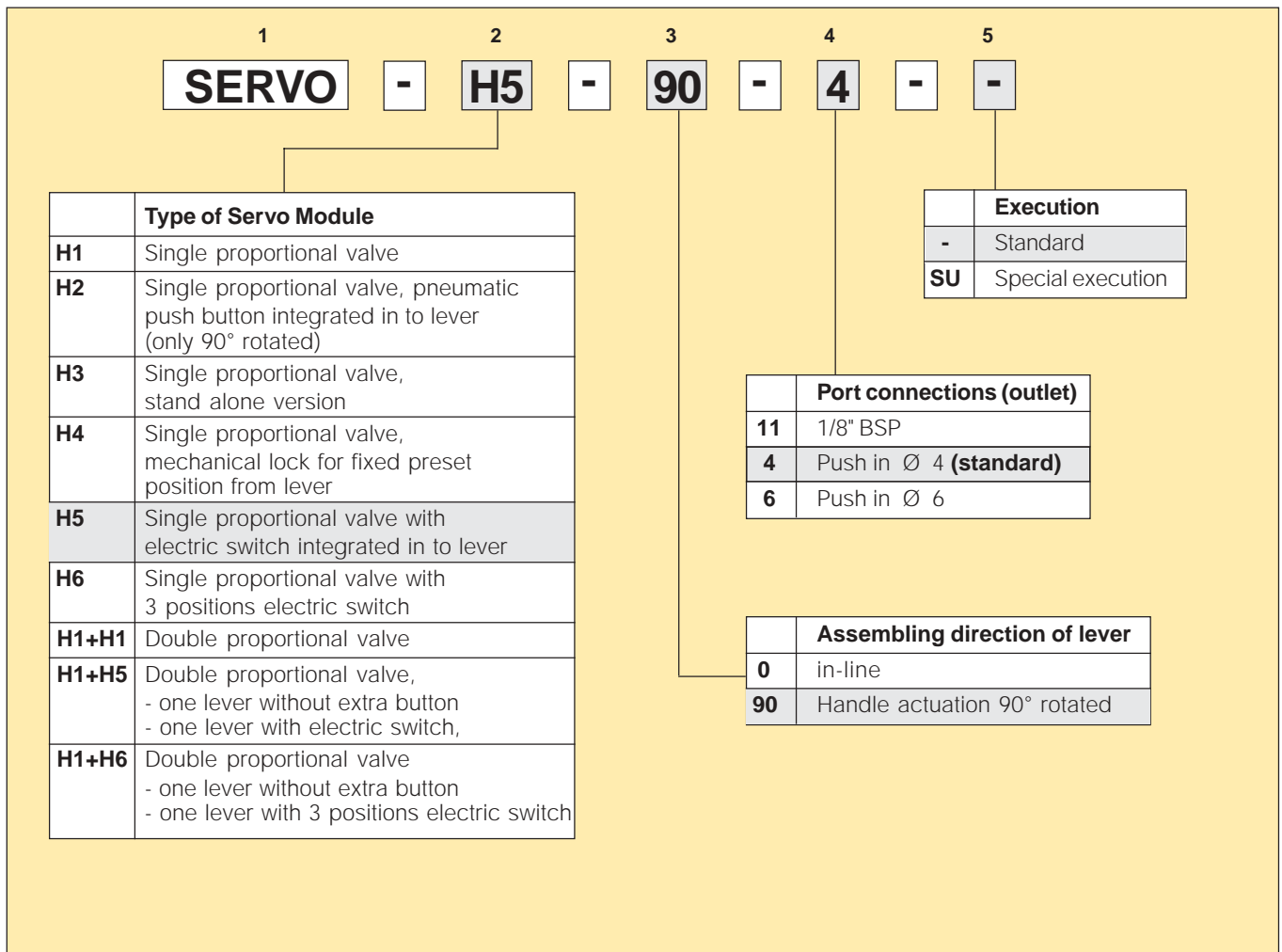


Servo-double

Double proportional valve, both levers always 90° rotated. Each type of handle actuation is available.
- H1+H1
- H1+H5
- H1+H6



Ordering-key Servo H



Standard order codes

Single	Order code	Double	Order code
Servo H1-0-4	3500600	Servo H1+H1-4	3501200
Servo H1-90-4	3501400	Servo H1+H5-4	3501900
Servo H2-90-4	3501500	Servo H1+H6-4	3522800
Servo H3+H1-0-4	3500800		
Servo H3+H4-0-4	3512900		
Servo H3+H5-0-4	3519300		
Servo H4-0-4	3500900		
Servo H4-90-4	3501600		
Servo H5-0-4	3501000		
Servo H5-90-4	3501700		
Servo H6-0-4	3514600		

For central air supply and exhaust of a module or complete pre-assembled Servo H-unit a connection flange is always required. More information can be found on page 8.



General Valve H

Valve H series consists of a complete range of push-button controlled 3/2-way valves, intended for remote control.

Valve H series are designed for many different applications, both mobile and industrial. Servo H series can be applied to control directional hydraulic spool valves for safety pins, lock's and actuators, for hook arms systems, front and end loaders, mobile cranes and portal systems.

Other applications are speed control of air motors, assembling, sawing and cutting systems.

Design and function Valve H

The modular series Valve H can be combined with other Servo H series and electric indicator modules. Each module can be assembled in random order for best possible solution for the application and optimum ergonomics for operator. Connection flange for central air supply and central exhaust function makes the configuration very compact.

Robust design, choice of materials, seals and production technique's makes Valve H series a reliable product.

Valve H modules are available in different version's, double 3/2-way, push button controlled, spring return into one module, single 3/2-way push button controlled, spring return and single push/pull button controlled 3/2 way, two positions. Electric switches modules are under development. Ask your local Parker Sales offices for possibilities.

Pneumatic connections for outlet signals are located on bottom side of valve modules. Modules will standard be delivered with push-in connectors Ø4 mm.

Symbols for movements functions and on/off functions can be the bottom valve modules. Modules are supplied as standard with push-in Ø4 mm connectors.

All components can be assembled in random order. Each module is supplied with special connection screws. This provides the freedom to assemble a unit consisting of different Valve H and Servo H modules as required.

Parker can deliver complete assembled units or single modules. This provides the best possible flexible delivery options for you. Ask your local Parker Sales offices for best possible solution.



Valve H1

Double push-button controlled 3/2-way valve, spring return



Valve H2

Single push/pull-button controlled 3/2-way valve, two positions

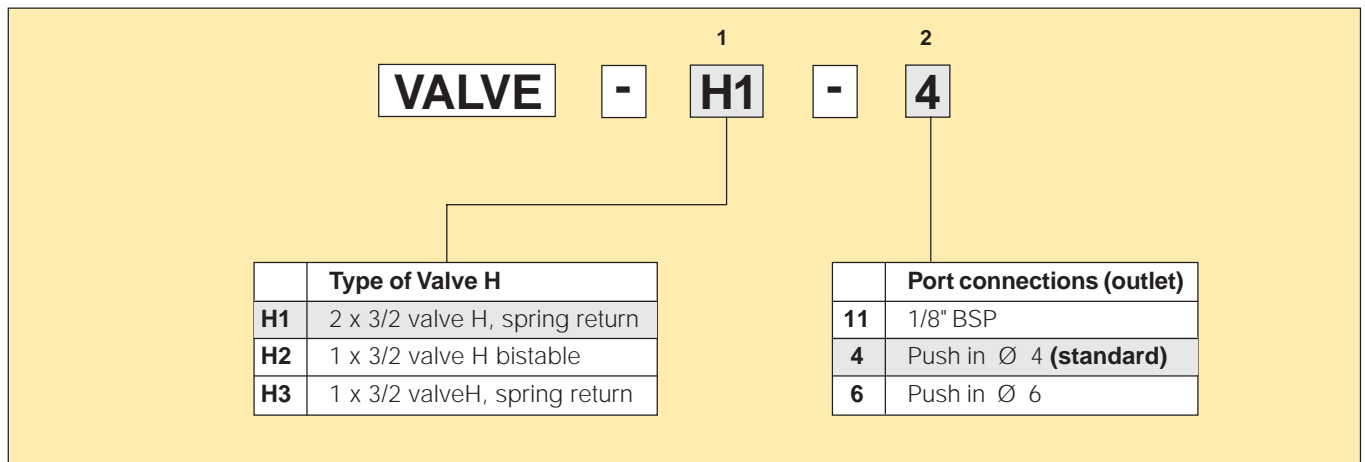


Valve H3

Single push-button controlled 3/2-way valve, spring return



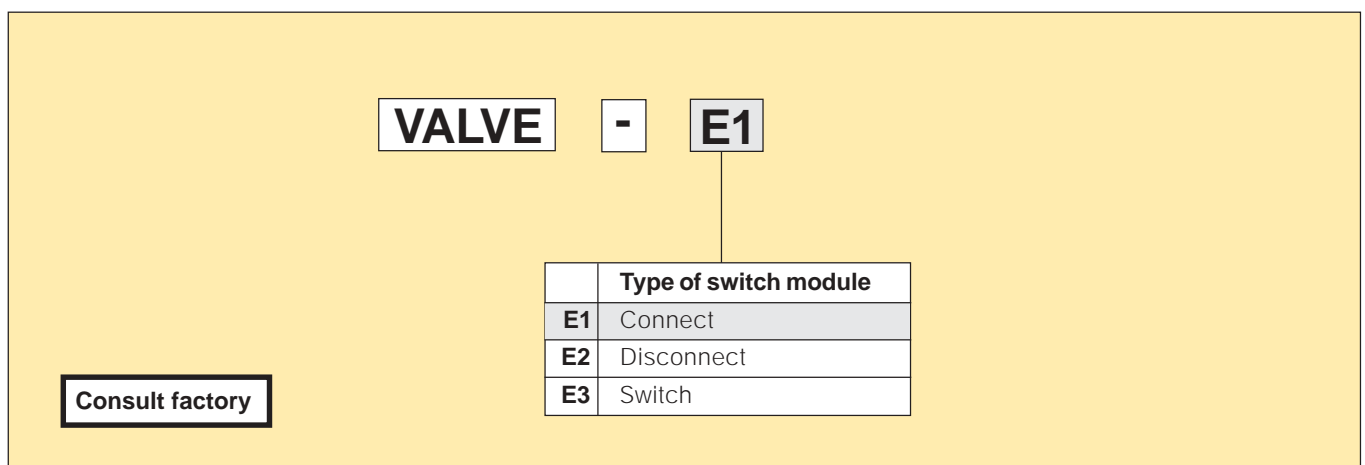
Ordering-key Valve H



Ordering codes / Available standard order codes

Single	Order code
Valve H1-4	3500500
Valve H2-4	3500400
Valve H3-4	3503700

Electrical switch unit



For central air supply and exhaust of a module or complete pre-assembled Servo H-unit a connection flange is always required. More information can be found on page 8.



Accessoires

Type

Order code



Connection flange set

For central air supply and exhaust a connection flange is required. A set consists of inlet flange and blind flange. Inlet flanges are supplied with push-in connectors Ø 6 mm for both air supply and exhaust.

CFH6
CFH12

Ø 6 mm (standard)
G1/4"

3500200
3500300



Electric indicator unit

Electric indicator modules can be combined with Servo H and Valve H modules for detection of movements or safety position indication. Electric indicator modules are equipped with 2 LED's, 24V. Electric connections can be found on the bottom of the module.

EML-24-GR
EML-24-GO
EML-24-GG
EML-24-RR
EML-24-OO

green/red
green/yellow
green/green
red/red
yellow/yellow

3503200
3503300
3503400
3503100
3503500



Control cylinder for (proportional) hydraulic control block

The cylinders mounted on the hydraulic valve block shift valves are equipped with springs for centre positioning. By using dedicated cylinders with the correct spring forces, we are able to create the best possible control system. The type of cylinder depends on the dimensions of the hydraulic valveblock used.

REG 40/7+7

3095900



Roller valve DSA/VA

The "roller" valve is used for detecting movements or end position sensing. They are suitable for applications with extreme conditions and are resistant to dirt, rain, water, salt and high pressure steam used to clean trucks. To cope with such conditions the valve is made of brass and completely closed, to prevent water ingress. All the non-connected ports are equipped with check valves which prevents water and dirt from entering the valve.

3/2-way valve DSA 107-GR-SU
5/2-way valve VA 107-GR-SU

3050600
3050700



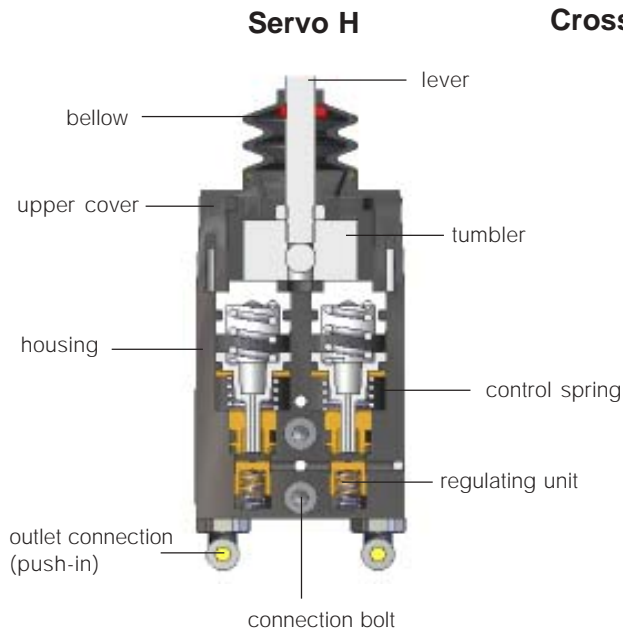
Pictogram

For a better recognition of control signals and movement of each module a set of pictogram can be ordered. Pictogram can be easily assembled into the lever or push-button

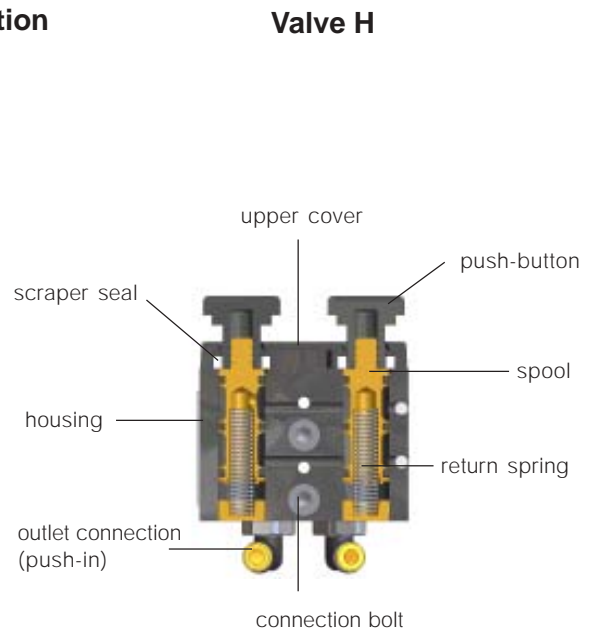
Pictogram set

3511500





Cross section



Technical data

Pneumatic

Working medium	: Compressed air
Supply pressure	: max. 8 bar
Control pressure	: 0-8 bar linear characteristics
Flow rate	: 187 l/min.
Hysteresis	: max. 1 bar
Temperature ranges	: -10°C / +70°C
Air quality	: Filtered to min. 50 micron, lubricated or non-lubricated, dried to dewpoint of +3°C. Once lubrication is applied, this must be maintained.
Lever force	: 4 Nm fully actuated at 8 bar

Port connections inlet:

Central air supply (P)	: Push-in connector $\varnothing 6$ mm
Central exhaust (R)	: Push-in connector $\varnothing 6$ mm

Port connections outlet:

ServoH	: Push-in connector $\varnothing 4$ mm
Valve H	: Push-in connector $\varnothing 4$ mm
	: Other port connections on request

Weight:

Flange set	: 0,22 kg
Valve H	: 0,26 kg
Servo H	: 0,38 kg
Servo H-90	: 0,60 kg
Servo H+H	: 0,66 kg

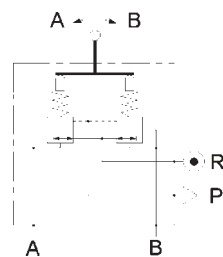
Electrical:

Two position contact	: resistive load 2A - 24 VDC 5A - 250 VAC
	: inductive load 3A - 250 VAC

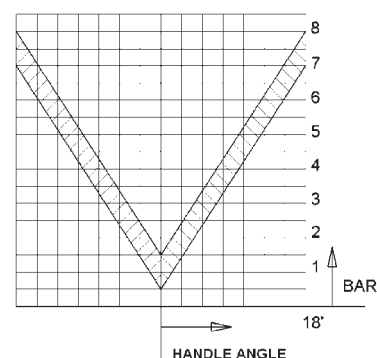
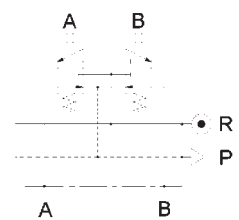
Materials:

Valve body	: Anodised aluminium
Top cover	: Thermoplastic
Knob	: Thermoplastic
Lever	: Stainless steel
Seals	: Nitrile rubber
Spool	: Brass
Screws	: Stainless steel

Servo H

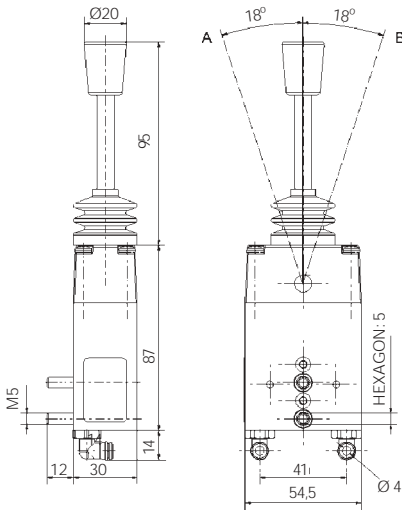


Valve H

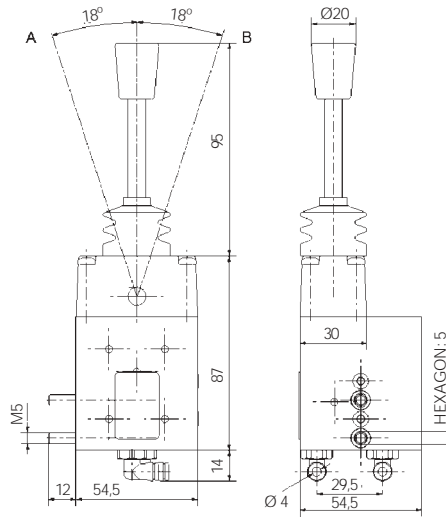


Dimensions

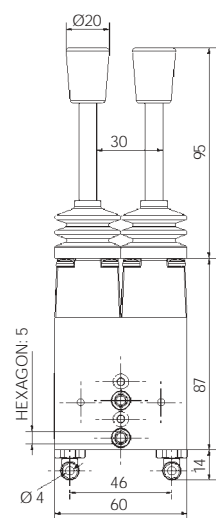
Servo H... in line



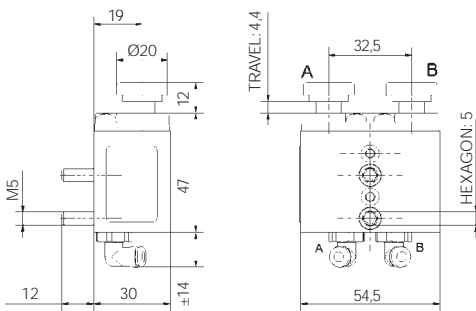
Servo H... 90° rotated



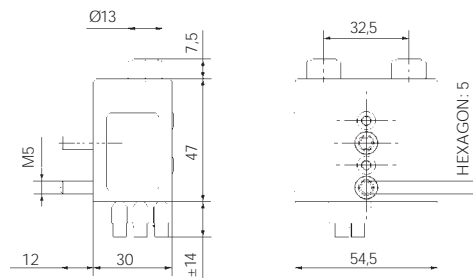
Servo double



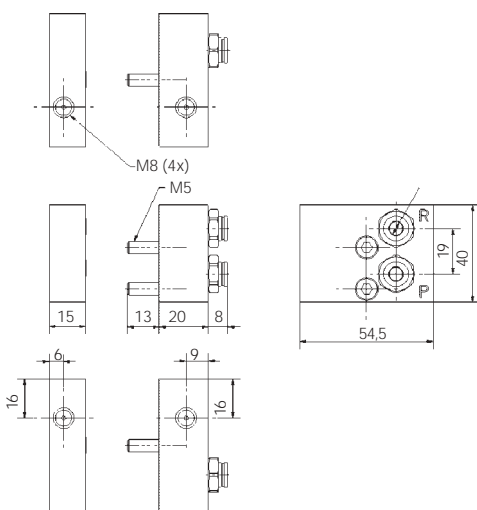
Valve H...



EML-24-GR



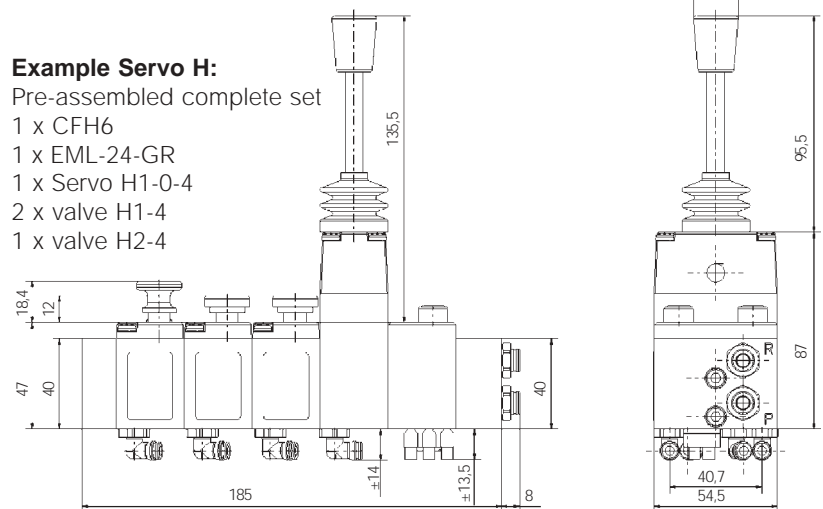
CFH6



Example Servo H:

Pre-assembled complete set

- 1 x CFH6
- 1 x EML-24-GR
- 1 x Servo H1-0-4
- 2 x valve H1-4
- 1 x valve H2-4



Parker can preassemble complete sets

Parker can pre-assemble a complete set of Servo H/Valve H for you. This gives you the benefit of ordering one complete item number for several Servo H/Valve H modules, pre-assembled and factory tested. Pre-assembled sets consist of a connection flange with servo module combined with several valve modules.

Description	Single	Order code	Description	Single	Order code
Servo H1-4+CFH6		3511700	Servo H5-4+CFH6		3513800
Servo H1-4+1xValve H1-4+CFH6		3511800	Servo H5-4+1xValve H1-4+CFH6		3513900
Servo H1-4+2xValve H1-4+CFH6		3511900	Servo H5-4+2xValve H1-4+CFH6		3514000
Servo H1-4+3xValve H1-4+CFH6		3512000	Servo H5-4+3xValve H1-4+CFH6		3514100
Servo H1-90-4+CFH6		3512100	Servo H5-90-4+CFH6		3514200
Servo H1-90-4+1xValve H1-4+CFH6		3512200	Servo H5-90-4+1xValve H1-4+CFH6		3514300
Servo H1-90-4+2xValve H1-4+CFH6		3512300	Servo H5-90-4+2xValve H1-4+CFH6		3514400
Servo H1-90-4+3xValve H1-4+CFH6		3512400	Servo H5-90-4+3xValve H1-4+CFH6		3514500
Servo H2-90-4+CFH6		3512500			
Servo H2-90-4+1xValve H1-4+CFH6		3512600			
Servo H2-90-4+2xValve H1-4+CFH6		3512700			
Servo H2-90-4+3xValve H1-4+CFH6		3512800			
Servo H4-4+CFH6		3513000			
Servo H4-4+1xValve H1-4+CFH6		3513100			
Servo H4-4+2xValve H1-4+CFH6		3513200			
Servo H4-4+3xValve H1-4+CFH6		3513300			
Servo H4-90-4+CFH6		3513400			
Servo H4-90-4+1xValve H1-4+CFH6		3513500			
Servo H4-90-4+2xValve H1-4+CFH6		3513600			
Servo H4-90-4+3xValve H1-4+CFH6		3513700			

Description	Double	Order code
Servo H1+H1-4+CFH6		3514800
Servo H1+H1-4+1xValve H1-4+CFH6		3514900
Servo H1+H1-4+2xValve H1-4+CFH6		3515000
Servo H1+H1-4+3xValve H1-4+CFH6		3515100
Servo H1+H5-4+CFH6		3515200
Servo H1+H5-4+1xValve H1-4+CFH6		3515300
Servo H1+H5-4+2xValve H1-4+CFH6		3515400
Servo H1+H5-4+3xValve H1-4+CFH6		3515500
Servo H1+H6-4+CFH6		3522900

Pre-assembled Servo H units not mentioned in the catalogue can be put together on request. Ask your local Parker Sales Office for information and available possibilities.

Spare parts / Repair kits

For each module spare parts and seal kits are available. They contain all the required parts needed for maintenance. Where required pre-assembled parts will be delivered for simple maintenance of the Servo/Valve H series. For easy recognition all modules will be labeled. When ordering seal kit / top cover, please refer to this code number.

Seal kit

Complete seal kits consisting of all components which are subjected to friction.

Description	Order code
Servo H1 / Servo H1-90 / Servo H3+H1	3515600
Servo H2-90	3515700
Servo H4 / Servo H4-90 / Servo H3+H4	3515800
Servo H5 / Servo H5-90 / Servo H3+H5	3515900
Servo H6	3514600
Servo H1+H1	3516100
Servo H1+H5	3501900
Valve H1	3516300
Valve H2	3516400
Valve H3	3516500

Top cover complete

Complete pre-assembled top covers can be ordered for easy maintenance of a servo module.

Description	Order code
Servo H1 / Servo H1-90 / Servo H3+H1	3516600
Servo H2-90	3516700
Servo H4 / Servo H4-90 / Servo H3+H4	3516800
Servo H5 / Servo H5-90 / Servo H3+H5	3516900
Servo H6	3517000



Pneumatic Division Sales Offices

Austria - Wr.Neustadt
Tel: +43 2622 23501
Fax: +43 2622 66212

Belgium - Nivelles
Tel: +32 67 280 900
Fax: +32 67 280 999

Czech & Slovak
Republics - Prague
Tel: +420 283 085 221
Fax: +420 283 085 360

Denmark - Ballerup
Tel: +45 43 560400
Fax: +45 43 733107

Finland - Vantaa
Tel: +358 9 4767 31
Fax: +358 9 4767 3200

France - Evreux
Tel: +33 820 825 239
Fax: +33 820 029 870

Germany - Kaarst
Tel: +49 2131 4016-0
Fax: +49 2131 4016 9199

Greece - Athens
Tel: +30 10 933 6450
Fax: +30 10 933 6451

Hungary - Budapest
Tel: +36 1 220 4155
Fax: +36 1 422 1525

Italy - Corsico, Milan
Tel: +39 02 4519 21
Fax: +39 02 4479 340

Netherlands - Oldenzaal
Tel: +31 541 585000
Fax: +31 541 585459

Norway - Langhus
Tel: +47 6491 1000
Fax: +47 6491 1090

Poland - Warsaw
Tel: +48 22 863 49 42
Fax: +48 22 863 49 44

Portugal - Leça da
Palmeira
Tel: +351 22 999 7360
Fax: +351 22 996 1527

Romania - Bucharest
Tel: +40 21 252 3382
Fax: +40 21 252 3381

Russia - Moscow
Tel: +7 095 234 0054
Fax: +7 095 234 0528

Slovenia - Novo mesto
Tel: +386 7337 6650
Fax: +386 7337 6651

Spain - Madrid
Tel: +34 91 675 7300
Fax: +34 91 675 7711

Sweden - Spånga
Tel: +46 (0) 8 5979 5000
Fax: +46 (0) 8 5979 5110

Switzerland - Biel
Tel: +41 32 3653711
Fax: +41 32 3653730

UK - Cannock
Tel: +44 1543 456000
Fax: +44 1543 456001

Ukraine - Kiev
Tel: + 380 44 220 7432
Fax: + 380 44 220 6534



Parker Hannifin plc
Pneumatic Division
Walkmill Lane, Bridgtown,
Cannock, Staffs. WS11 3LR
United Kingdom
www.parker.com/euro_pneumatic

We reserve the right to make alterations without prior notification.
Edition 03.05