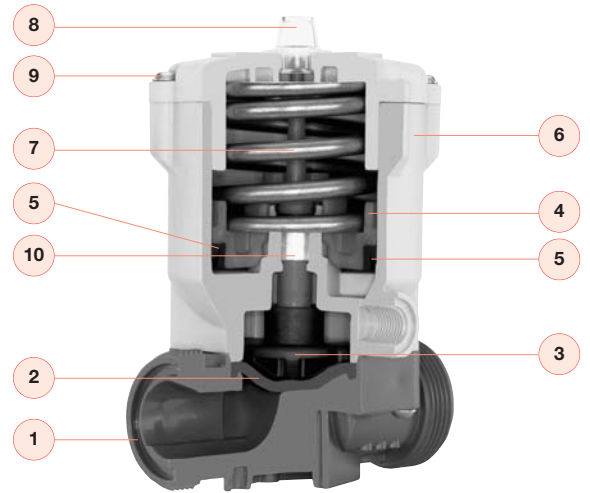


## Diaphragm Valve, Plastic

2/2 way, pneumatically operated

**SilverLine®** is a low cost diaphragm valve range providing the following advantages:

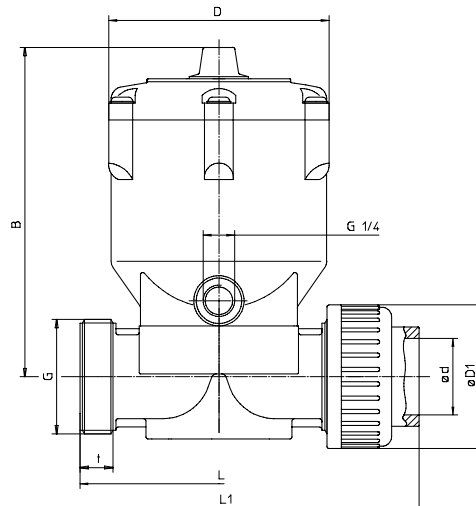
- Optimum price-performance ratio
- Compact design with reduced components
- Low weight
- Maintenance-free valve
- Corrosion resistant materials
- Good flow coefficient
- Standardized threaded connections
- Can be installed and removed using union nuts
- Choice of body materials PVC-U or PP-R-GF
- Choice of diaphragm materials EPDM, NBR, CSM, FPM (depending on size), PTFE
- Mounting facility at the rear
- Standard optical position indicator



1. Valve body: PVC-U or PP-R-GF
2. Diaphragm: EPDM, NBR, CSM, FPM, PTFE
3. Compressor: PA (Glass Reinforced)
4. Piston: PA
5. Lip rings: NBR
6. Actuator housing: PP-R-GF
7. Compression spring: stainless steel
8. Sight glass: PMMA, optical position indicator: PA
9. Bolts: stainless steel
10. Bushing: lubricated bronze

Dimensions (mm)

G	DN	B	t	L	D	L <sub>1</sub>		ø d		ø D <sub>1</sub>		Weight kg	K <sub>v</sub> m <sup>3</sup> /h	C <sub>v</sub> US gal/min
						PVC-U	PP	PVC-U	PP	PVC-U	PP			
1/2	15	80	14,5	90	63	128	128	20.2	19.2	43	43	0.25	6.5	7.5
1	20	138	15	116	104	160	154	25.2	24.2	60	60	1.07	12	13.9
1	25	138	15	116	104	166	162	32.2	31.0	60	60	1.07	15	17.4
1 1/2	32	222	18	154	133	212	202	40.2	39.3	83	83	2.56	25	28.9
1 1/2	40	222	18	154	133	222	210	50.1	48.8	83	83	2.56	30	34.7
2	50	234	22	182	182	264	248	63.2	61.7	103	103	4.39	50	57.9



## Diaphragm Valve, Plastic

### 2/2 way, pneumatically operated

#### Working medium

Corrosive, inert, gaseous and liquid media which have no negative impact on the physical and chemical properties of the body and diaphragm material.

Max. perm. pressure of working medium 8.5 bar  
 Max. perm. temperature of working medium (PVC) 60° C\*  
 Max. perm. temperature of working medium (PP) 80° C\*

\* see data sheet "Technical Information on Plastic Materials"

#### Max. ambient temperature

40° C

#### Flow direction and mounting position

Optional

#### Control medium

Inert gases

#### Control pressure

4.5 - 6 bar

#### Body material

PVC-U, PP-R-GF

#### Diaphragm material

EPDM, NBR, CSM, FPM (depending on size), PTFE



Connection size		DN	Order designation						
G		mm	A	B	C	D	E	F	G
1/2	d20	15	S 660	15	D	7	1	14	1
3/4	d25	20	S 660	20	D	7	1	14	1
1	d32	25	S 660	25	D	7	1	14	1
1 1/4	d40	32	S 660	32	D	7	1	14	1
1 1/2	d50	40	S 660	40	D	7	1	14	1
2	d63	50	S 660	50	D	7	1	14	1

#### Connections

#### Code

D	Union ends with DIN sockets	7
	Union ends with imperial sockets	33

#### Valve body material

#### Code

E	PVC-U	1
	PP-R-GF, sockets PP	5

#### Diaphragm material

#### Code

F	EPDM	14
	NBR	2
	CSM	1
	FPM (DN 15 and 25)	4
	PTFE/EPDM	52

#### Control function

#### Code

G	Normally closed	1
---	-----------------	---

#### Accessories

Pilot valve GEMÜ 334 1M1 25 4-1, 230 V, 50 Hz  
 Mounting plate GEMÜ 1041/000/Z05  
 Mounting plate GEMÜ 1041/000/Z06  
 Mounting plate GEMÜ 1041/000/Z07  
 Electrical position indicator 1214 with Intercarat adapter