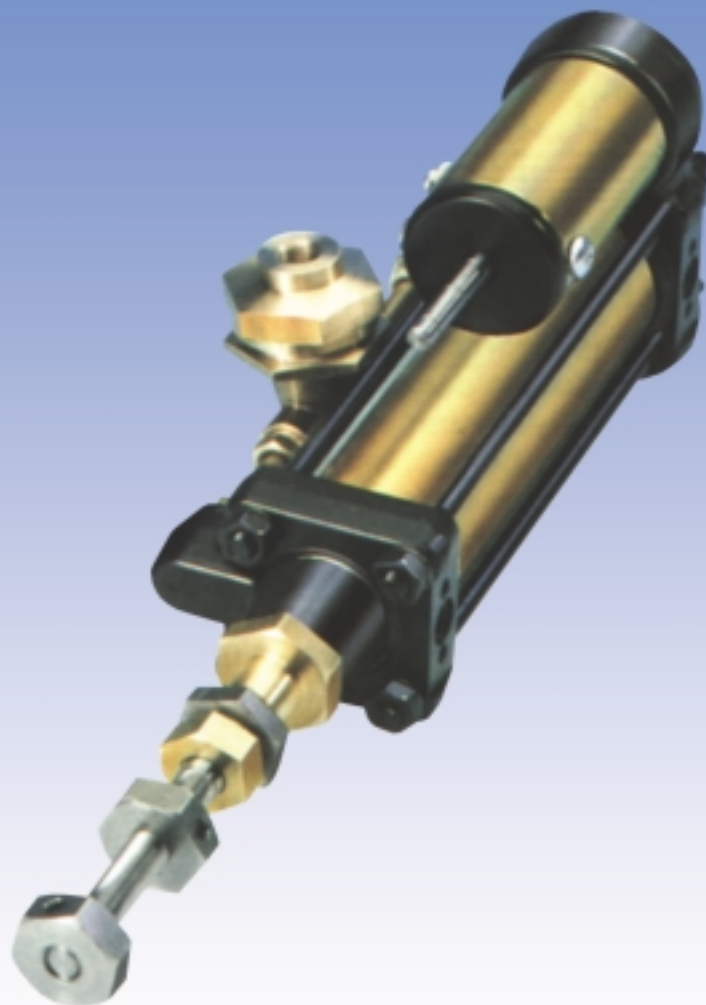




# Hydrochecks

*Self contained hydraulic  
checking units*

*Catalogue no: 2117 GB-ca*





## **WARNING**

FAILURE OR IMPROPER SELECTION OR IMPROPER USE OF THE PRODUCTS AND/OR SYSTEMS DESCRIBED HEREIN OR RELATED ITEMS CAN CAUSE DEATH, PERSONAL INJURY AND PROPERTY DAMAGE.

This document and other information from Parker Hannifin Corporation, its subsidiaries and authorized distributors provide product and/or system options for further investigation by users having technical expertise. It is important that you analyze all aspects of your application and review the information concerning the product or system in the current product catalog. Due to the variety of operating conditions and applications for these products or systems, the user, through its own analysis and testing, is solely responsible for making the final selection of the products and systems and assuring that all performance, safety and warning requirements of the application are met. The products described herein, including without limitation, product features, specifications, designs, availability and pricing, are subject to change by Parker Hannifin Corporation and its subsidiaries at any time without notice.

## **SALE CONDITIONS**

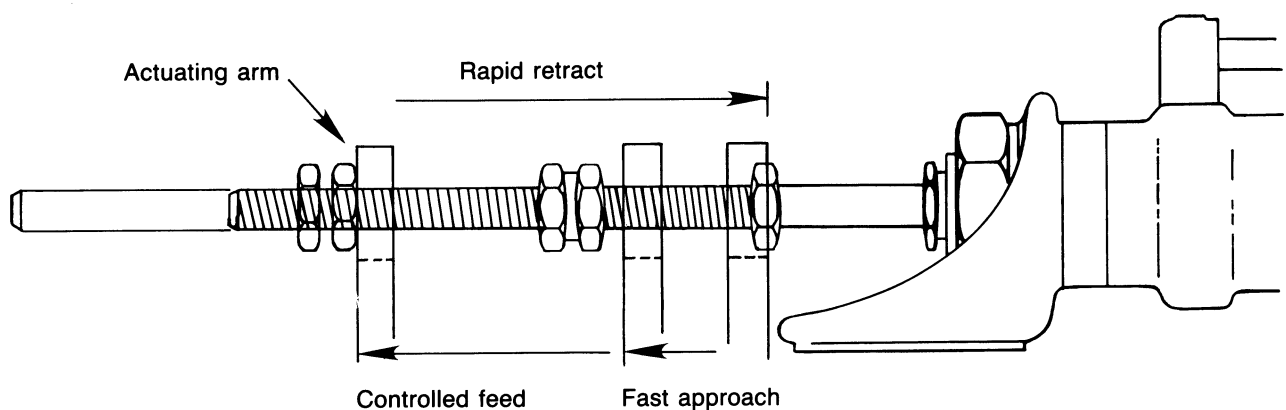
The items described in this document are available for sale by Parker Hannifin Corporation, its subsidiaries or its authorized distributors. Any sale contract entered into by Parker will be governed by the provisions stated in Parker's standard terms and conditions of sale (copy available upon request).

Hydrochecks are precision built self contained hydraulic control units designed to smooth out pneumatic cylinder-movements over any distance within their own stroke length, up to 450mm.

Basic single acting models provide adjustable speed control over the full outward or inward stroke, and fast return, with the facility for rapid approach to the controlled stroke, by the adjustment of the piston rod engaging nuts.

By the incorporation of 'skip' or 'stop' valves virtually any combination of fast - slow, start - stop motions can be obtained. Similar functions can also be provided on the inward and outward strokes of double acting models.

Fig 1.



## Flow schematic

The Hydrocheck is basically a self contained hydraulic damping cylinder with adjustable flow. (Fig 2). The piston speed is controlled on the checking stroke by pushing oil from one side of the piston (A) to the other via a transfer tube (B) and needle valve (C) which adjusts checking rate. A high flow plate valve in the piston lifts to permit a rapid return stroke. The balance cylinder assembly (D) automatically compensates for the volumetric displacement of the piston rod; the three annular grooves on the indicator rod (E) of the balance cylinder piston show the oil content. Inward checking models, in which the piston assembly and flow direction are reversed, carry the balance cylinder on the front head.

The exterior length of the piston rod is threaded and carries adjustable lock nuts for setting the point at which checking is required to start, the permanently locked back nut is used to reset the rod (Fig 1).

Where fast traverse is required within the checking stroke a 'skip' valve (F) is incorporated. Maintained air pressure is normally applied to the skip valve and relieved by remote control for fast traverse. Design characteristics of double acting units mounted inline with air motors do not permit mechanical fast approach which, on these units, is obtained by use of a skip valve.

The stop valve (G) facilitates a 'dwell' period during any part of the Hydrocheck stroke and operates by applied air pressure which closes the hydraulic circuit ahead of the needle valve (C). On Standard Duty models the skip valve must also be closed when the stop valve is applied. Both valves should be operated by the same pressure as the main actuating air cylinder feed.

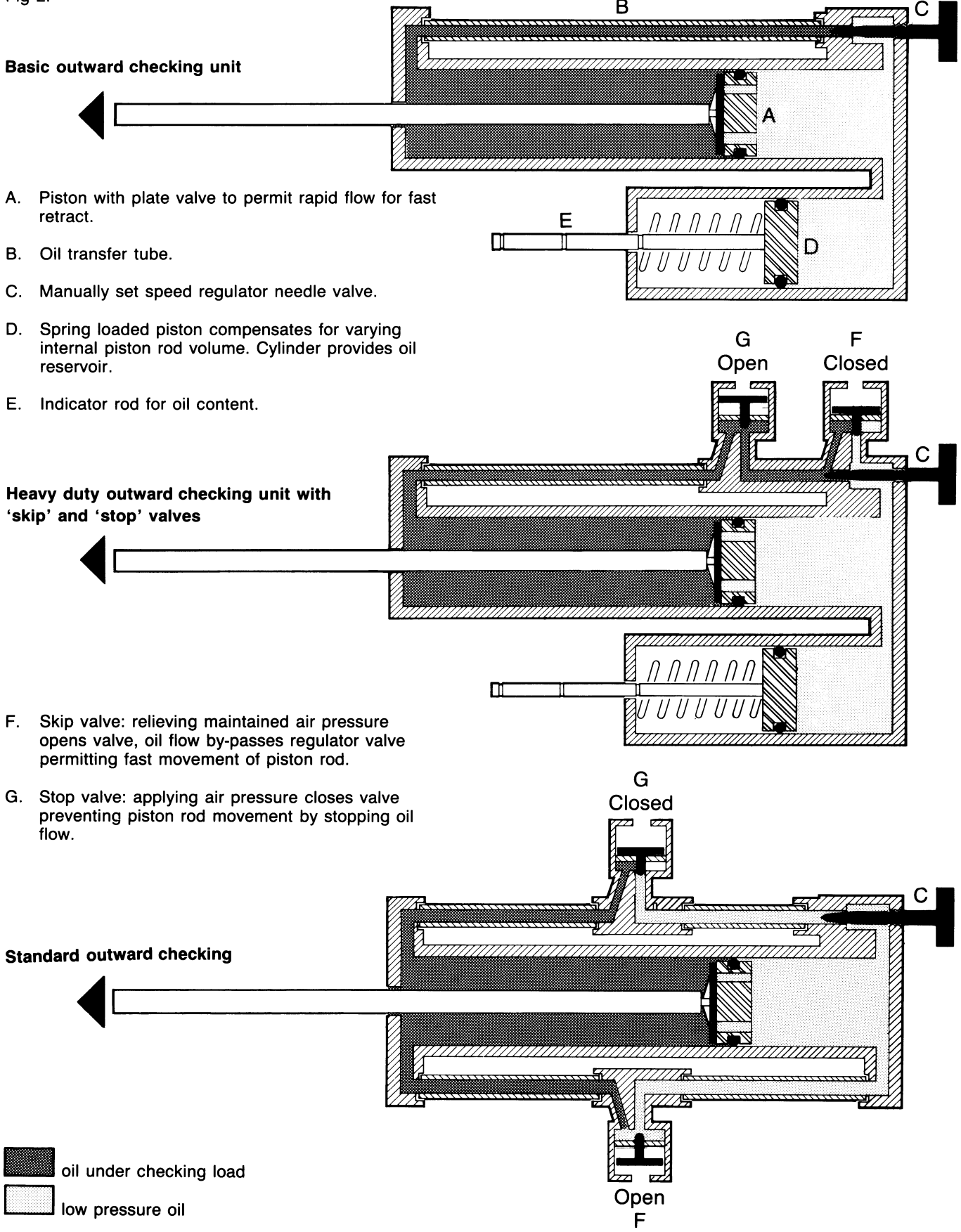
### Note:

Thrust loads must not exceed 5337N (1200 lb f) for Standard Units

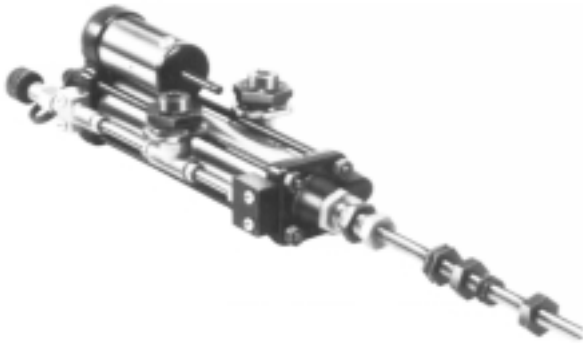
# Hydrochecks

## Schematic diagrams showing oil Flow and working principles of Hydrochecks.

Fig 2.



## Standard duty series



### How to order

**B181 - XX11 - XXX**

Direction		Control		Stroke mm
1	Outward check	1	Standard	050
2	Inward check	2	STD + Skip	075
		3	STD + Stop	100
		4	STD + Skip/Stop	150
				225
				300
				375
				450

e.g. B181-1311-150 = Standard Duty Outward Checking Model with Stop Valve x 150mm stroke.

### Note:

Minimum stroke available with skip or stop facility is 100mm.

### Repair kit

Part no.	B732-504
----------	----------

## Hydrocheck mounting kit

For New Generation I.S.O. Cylinders



### How to order

Part Nos.

Bore size	Kit part no.
50	50-2800H
63	63-2800H
80	80-2800H*

### Note:

The hydrocheck mounting kit is suitable for 50mm, 63mm and 80mm bore sizes only.

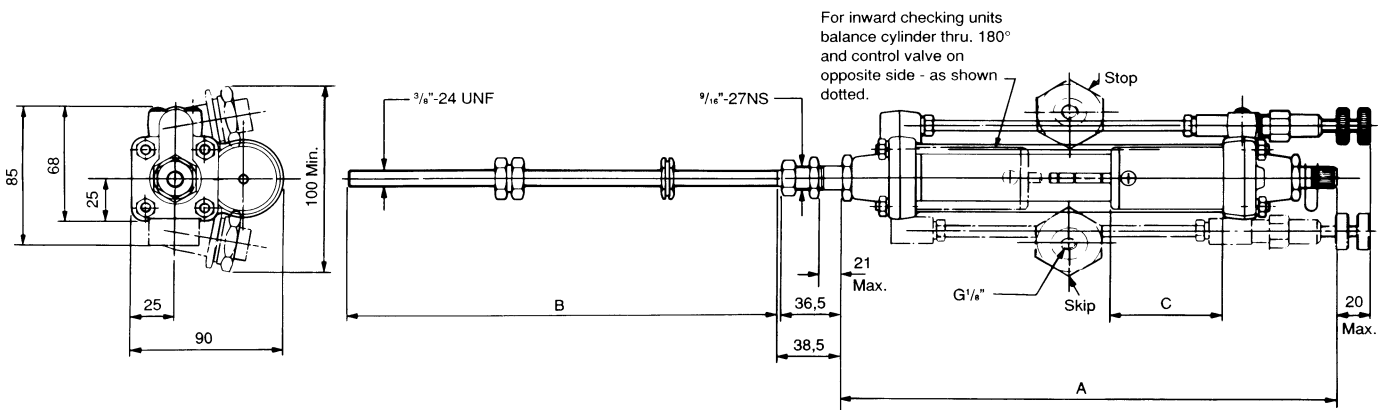
The kit contains: 1 mounting plate  
1 actuator arm  
1 spacer  
4 mounting bolts.

# Hydrochecks

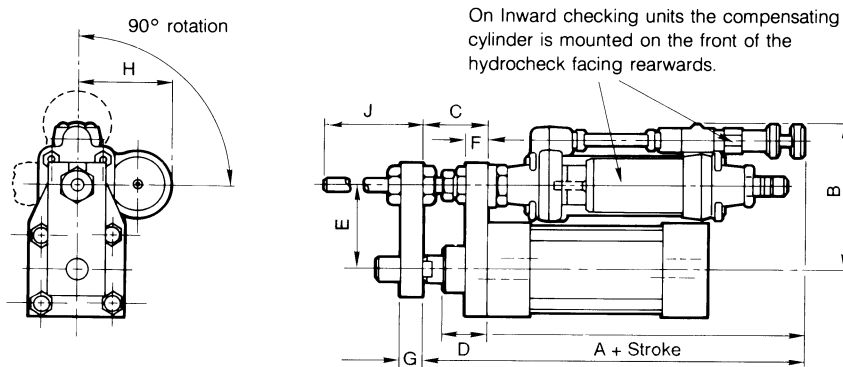
## Dimensions (mm)

### Standard duty

Part number	A	B Thread	C
B181-xxxx-050	200	254	67
B181-xxxx-075	226		
B181-xxxx-100	251		
B181-xxxx-150	302		
B181-xxxx-225	378		
B181-xxxx-300	454	305	168
B181-xxxx-375	530	381	
B181-xxxx-450	606	457	



## Hydrocheck mounting kits



## Dimensions (mm)

Cyl. Ø	A + stroke	B	C	D	E	F	G	H
50	213,5	105	37	29	60	16	16	65
63	213,5	110	37	29	65	16	16	65
80	232,5	123	46	35	78	16	16	65

Strokes	J
50-225	240
300	291
375	367
450	443



www.parker.com

## Pneumatic Division Sales Offices

---

**Austria - Wr.Neustadt**

Tel: +43 2622 23501  
Fax: +43 2622 66212

**Belgium - Nivelles**

Tel: +32 67 280 900  
Fax: +32 67 280 999

**Czech & Slovak  
Republics - Klecany**

Tel: +420 284 083 111  
Fax: +420 284 083 112

**Denmark - Ballerup**

Tel: +45 43 560400  
Fax: +45 43 733107

**Finland - Vantaa**

Tel: +358 9 4767 31  
Fax: +358 9 4767 3200

**France - Contamine**

Tel : +33 4 50 25 80 25  
Fax : +33 4 50 03 67 37

**Germany - Kaarst**

Tel: +49 2131 4016-0  
Fax: +49 2131 4016-9199

**Greece - Athens**

Tel: +30 210 933 6450  
Fax: +30 210 933 6451

**Hungary - Budapest**

Tel: +36 1 220 4155  
Fax: +36 1 422 1525

**Ireland - Dublin**

Tel: +353 1 293 9999  
Fax: +353 1 293 9999

**Italy - Corsico, Milan**

Tel: +39 02 4519 21  
Fax: +39 02 4479 340

**Netherlands - Oldenzaal**

Tel: +31 541 585000  
Fax: +31 541 585459

**Norway - Langhus**

Tel: +47 6491 1000  
Fax: +47 6491 1090

**Poland - Warsaw**

Tel: +48 22 573 24 00  
Fax: +48 22 573 24 03

**Portugal - Leça da  
Palmeira**

Tel: +351 22 999 7360  
Fax: +351 22 996 1527

**Romania - Bucharest**

Tel: +40 21 252 1382  
Fax: +40 21 252 3381

**Russia - Moscow**

Tel: +7 095 234 0054  
Fax: +7 095 234 0528

**Slovenia - Novo mesto**

Tel: +386 7337 6650  
Fax: +386 7337 6651

**Spain - Madrid**

Tel: +34 91 675 7300  
Fax: +34 91 675 7711

**Sweden - Spånga**

Tel: +46 (0) 8 5979 5000  
Fax: +46 (0) 8 5979 5120

**Switzerland - Bolligen**

Tel.: +41 31 917 18 50  
Fax: +41 31 917 18 59

**Turkey - Istanbul**

Tel: +90 212 482 91 06  
Fax: +90 212 482 91 10

**UK - Cannock**

Tel: +44 1543 456000  
Fax: +44 1543 456001

**Ukraine - Kiev**

Tel: + 380 44 220 7432  
Fax: + 380 44 220 6534



**Parker Hannifin plc**

Pneumatic Division,  
Walkmill Lane, Bridgtown,  
Cannock, Staffs. WS11 0LR  
United Kingdom

We reserve the right to make  
alterations without prior notification.  
Edition 06.01